

BRIAN JAMES TRAILERS

» Connected to you



**CARGO CONNECT
CONFIGURE ON THE GO**

UNITED KINGDOM

CARGO CONNECT



CARGO CONNECT THE COMMERCIAL TRAILER TRANSPORT SOLUTION

5 5 YEAR
CHASSIS
WARRANTY



CarGO Connect is the most adaptable commercial goods and vehicle transport trailer. To provide complete flexibility a whole host of new and unique solutions allow re-configuration on demand. Every available option can be added or removed at anytime, from brand new, or whenever required in the future.

As well as a uniquely configurable concept, **CarGO Connect** sets new standards in trailer engineering quality and value for money. The resulting longevity of chassis and components will continue to deliver results well into the future.

Platforms sizes are offered from 4.0m through to 6.0m long, in two standard widths. Several axle and wheel size combinations are available to provide almost any required solution, including a heavy duty 195/60 R12 tyre option.

Professional sales and after-sales support is available through an extensive network of dedicated Brian James Trailers dealers, able to supply to your exact requirements, when you need them to.

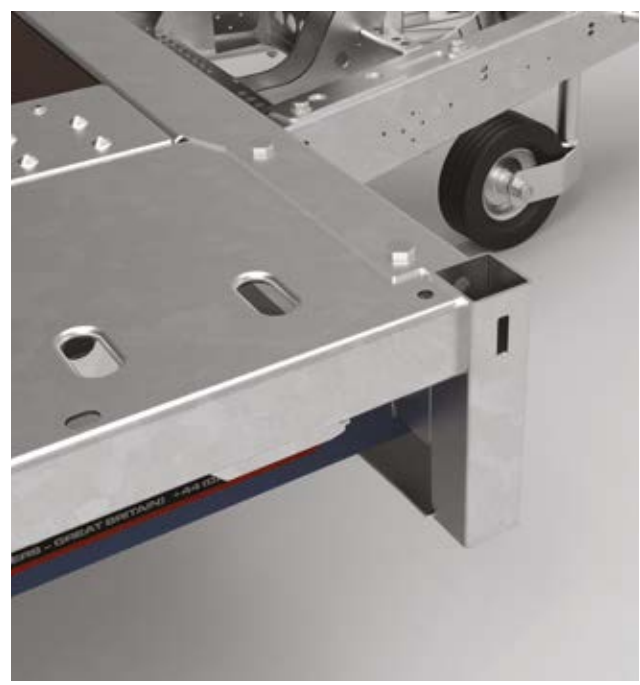


CARGO CONNECT

CARGO CONNECT CLICK & CONNECT

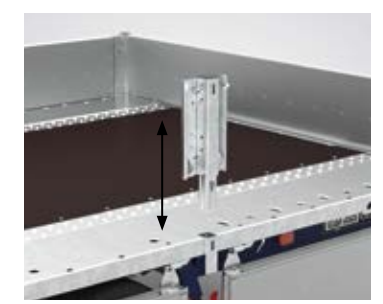
At the heart of the **CarGO Connect** is a redefinition of a multi-purpose trailer. It means any available option can be added or removed to suit, as and when needed. **CarGO Connect** is certainly defined by the concept of configuration, but in addition this design is completed by a multitude of new features and ideas specifically to assist users gain flexibility and easy operation.

As highlighted on this and the facing page, the standard features ensure that **CarGO Connect** can be just as competent loading and transporting super-cars, as tractors, mowers or heavy pieces of equipment. This is the professionals trailer.



● **Connected**
In every corner of the CarGO Connect chassis and placed at points in-between are high strength 'Connect Nodes'. Each node represents the ability to click into place a variety of posts for options such as side systems, headboards or ladder racks. No tools, no fuss.

○ **Corner & centre posts**
Fitted and removed in seconds and yet extremely robust. Interchangeable posts also ensures re-fitting is uncomplicated.



MULTIPLE ANCHOR POINTS

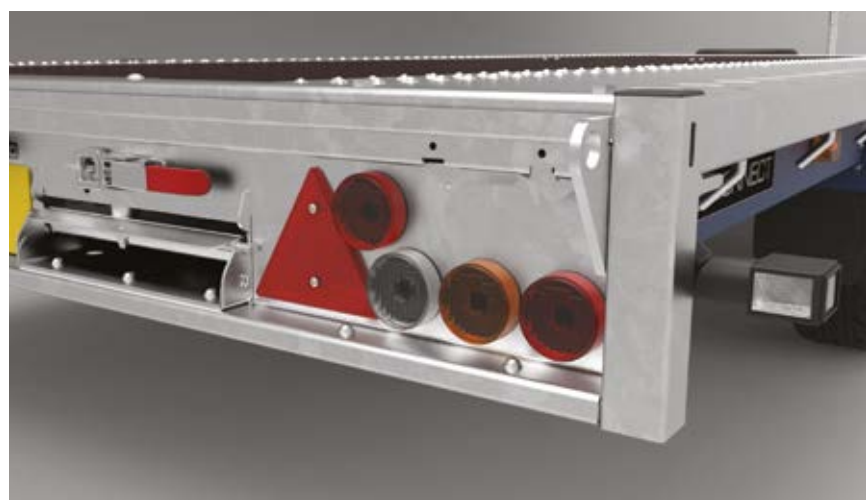
● **Multiple anchor points**
Numerous strap attachment points are provided along each side of CarGO Connect. Each are located through the chassis providing ultimate strength. For vehicle transport a set of professional wheel 'sling' straps can be used for maximum security. Machine movement is made easy with many tie-down options.



● **Underside rope hooks**
All along the underside many convenient rope hooks are provided.



● **LED marker lamps**
LED technology, super-bright and reliable lamps are fitted in front (white), sides (amber) and rear outline marker (red/white/amber) positions as well as for registration plate illumination.



● **Individual lamp array**
Stylish, well protected lamps are individually replaceable in the unlikely event of damage. They feature a high quality bulb holder providing durability and a convenient twist release mechanism for easy bulb access. The fully sealed lamps are further protected by a bodywork housing preventing direct wheel spray. CarGO Connect features a junction box wiring system for easy maintenance.

● **Smooth-ride, self damping**

CarGO Connect trailers are designed for long distance and heavy loads. Axles and suspension technology is by AL-KO, Europe's largest trailer equipment manufacturer.

With extensive in-house testing and development facilities in Germany and a history of over 80 years, AL-KO are able to provide an unmatched combination of competence and experience.

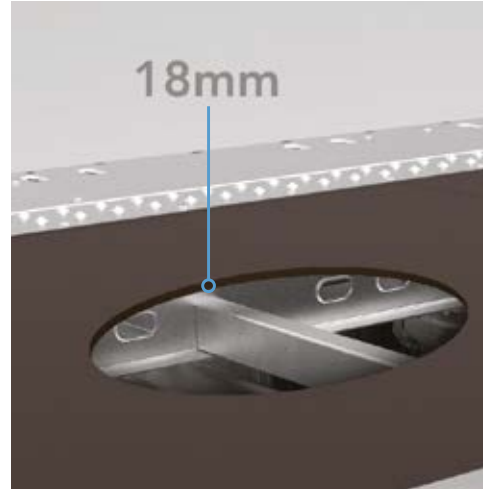
CarGO Connect offers the choice of either a 10" or 12" wheel / tyre size. Choose 10" for the best in low-loading or 12" when a super heavy-duty performance is a priority.

Several combinations of either Twin or Tri-axle extend the range to meet any requirement.



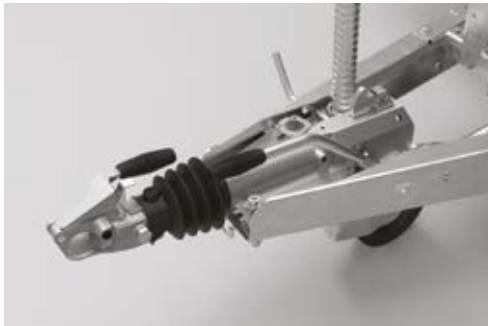
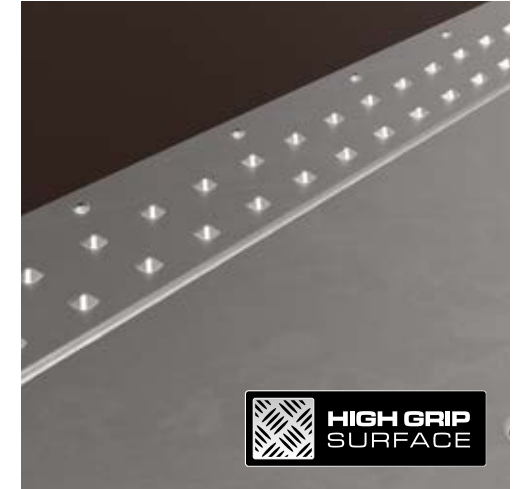
● **Super-Strong**

An 18mm anti-slip phenol ply-deck with a network of chassis supports ensures that heavy items can be transported.



● **Punched steel grip deck**

Forming a permanent raised profile in two tracks this feature provides permanent grip for wheeled vehicles.



● **Level ride**

Models featuring larger wheels are fitted with a lowered overrun housing draw bar, ensuring that the tow ball is matched to the optimum height for level towing.



● **Super-Structure**

The strength of CarGO Connect is more than skin deep. Super-strength steel used in the main chassis fabrication is complemented by two additional longitudinal beams just below the 18mm thick phenol ply anti-slip centre bed. Lighter weight and improved strength, combined with the durability of a hot-dip galvanised chassis will be a part of the CarGO Connect for many years.

CARGO CONNECT

OPTIONS

SIDES

The most useful and popular option for any multi-use trailer is a set of drop sides. The **CarGO Connect** side options list goes further than ever, with strong, but light steel sides featuring a robust latching mechanism designed to keep sides totally silent. In addition these can be extended with high panelled side extension kits.

○ Drop sides

Kit features a removable heavy duty headboard, a full set of 0.3m high drop side panels constructed from 2.0mm galvanised steel and high precision securing posts. Panels and posts are fully removable without tools. Every part is designed to last.

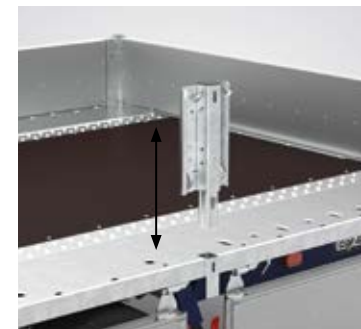


● **Front headboard**
This strong and practical headboard is fully and easily removable. Especially useful for transporting long loads.



● Flush deck

The CarGO Connect chassis / body design provides the perfect design for forklift loading.



○ Corner & centre posts

Fitted and removed in seconds and yet extremely robust. Interchangeable posts also ensures re-fitting is uncomplicated.



● Toggle catches

Fail-safe, quick release latches. Each latch has its own self adjustment spring to ensure a safe and secure connection.

○ **High panelled side extension kit** enabling the transport of bulkier loads. Lightweight, yet robust panels can be individually removed, along with the quick release retaining posts. This enhanced functionality makes CarGO Connect easily configurable.



○ **Long mesh ramp with high panelled side extensions**
Combining a long tail ramp, single height drop sides and high panelled side extensions makes an ideal solution for the varied requirements of many landscaping operations.



○ **High grip, full width tail ramp with high panelled side extensions**
Combines a high strength, easy ramp solution for tilt-bed operation trailers with high panelled side extensions. Spring assisted for low lifting effort.



○ **High panelled side, standalone**
CarGO Connect offers the flexibility to configure high panelled side extensions as a standalone feature, requiring no drop sides to be fitted. This will suit the transportation of scrub and brush materials in site clearance or maintenance operations.

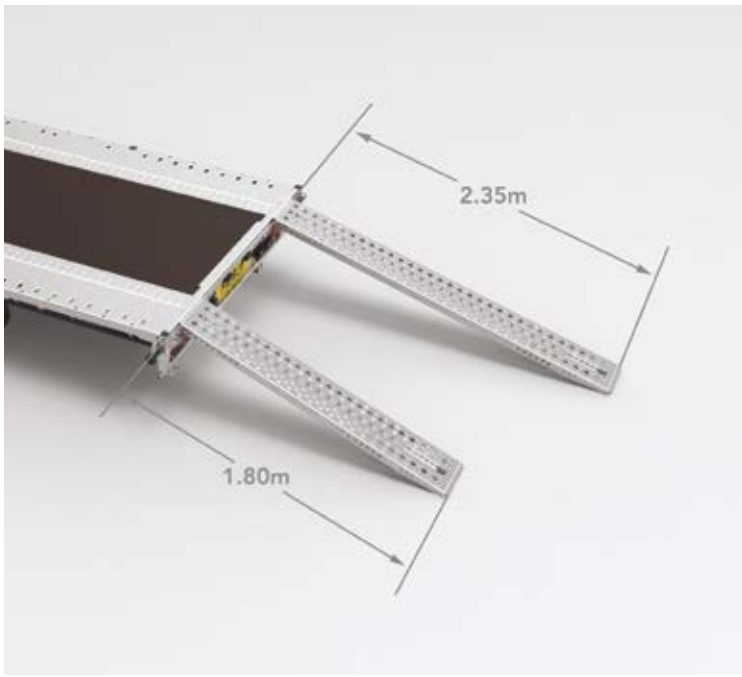
OPTIONS

LOADING

From heavy construction equipment to super-cars with ultra low ground clearance and everything in-between, the **CarGO Connect** multi-use trailer has a variety of well-built, adaptable and easy to use loading options to cater to your specific requirements.



○ Hydraulic tilt-bed
Powerful self-contained hydraulic ram powers the tilt-bed operation. Choose your ideal loading ramp solution to go with it.



○ Loading ramps
Choose between 1.80m and 2.35m loading ramps to suit your loading angle requirements. Ramps can be used on both flat-bed or tilt-bed operation trailers.

○ Rear support stands
Specify rear stands on flat-bed trailers to provide support when loading heavy equipment from the rear.



○ Cross-over ramp

Incorporating a swivel and lowering jockey wheel, this ramp solution allows quick and hassle free cross-loading from trailer to transporter.



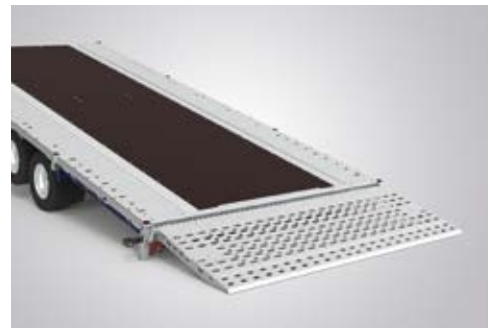
○ Long mesh ramp

A full width, long mesh ramp (1.8m long) offers ultimate convenience for flat-bed loading. It can also be combined with a hydraulic tilt operation to make a simple and very low loading facility.



○ High grip, full width tail ramp

A high strength, easy ramp solution for tilt-bed operation trailers. Spring assisted for low lifting effort.



○ Torsion bar

Enclosed torsion option eliminates need for external springs meaning corner posts can be removed to allow loading of wider payloads. Torsion bar also allows for easy manual lifting of ramp.



○ Combination, tilt-bed and high grip, full width tail ramp

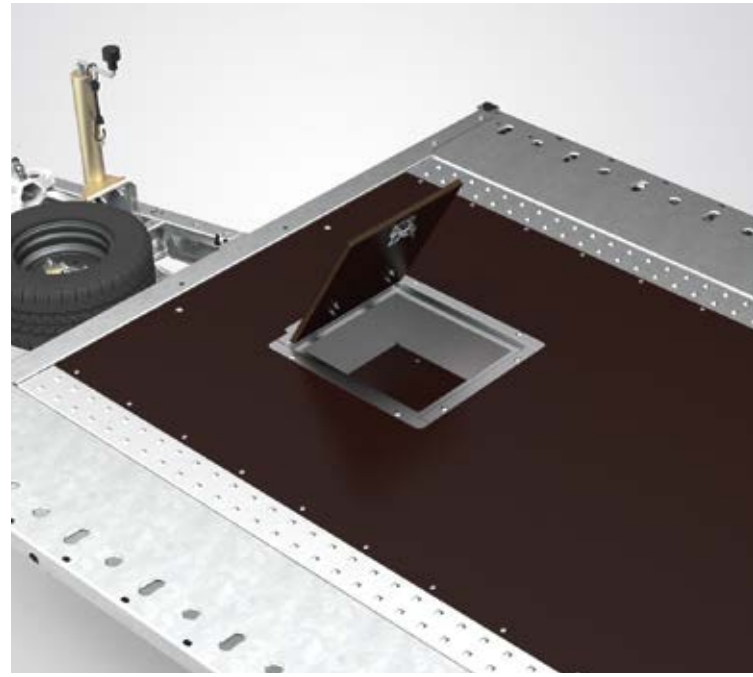
Features high strength punched and formed steel. Provides lots of grip and is extremely resistant to wear, even on tough jobs. Hydraulic tilt-bed, plus steel tail ramp combination makes a 12.5° loading angle.



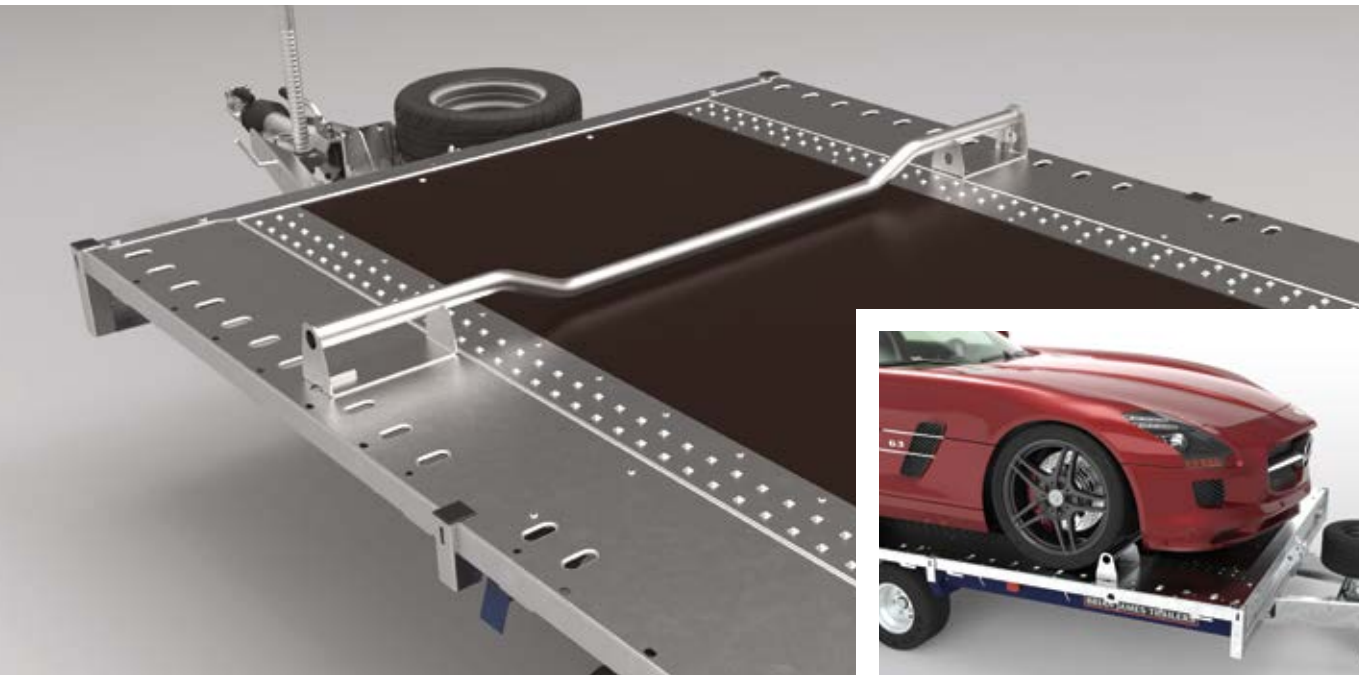
OPTIONS

ACCESSORIES

Configuration and adaptability are key components of the **CarGO Connect** multi-use trailer. All of the options items highlighted across these pages enhance the operation and overall effectiveness of what is already a leading design. Every available option can be added or removed at anytime, from brand new, or whenever required in the future.



○ In-deck storage facility
Keep your straps and tools in a convenient place. Latch release catch (not locking).



HIGH GRIP SURFACE

○ Full width wheel / machinery chock
Quickly repositioned to suit varying loads or vehicles. Fitting positions are provided right along the full length of each trailer.

○ Aluminium deck overlay
Compliments the standard high grip steel deck, and protects the 18mm ply decking from severely abrasive environments.

○ Ladder racks

A configurable ladder rack system gives options to add a ladder rack to side extensions, or have it standalone. Several racks can also now provide a unique option for various purposes.



○ Full LED lighting

LED lights are both super bright and reliable. 8 x individual rear lamps are replaced with LED items. All other original lamps are LED technology as standard.



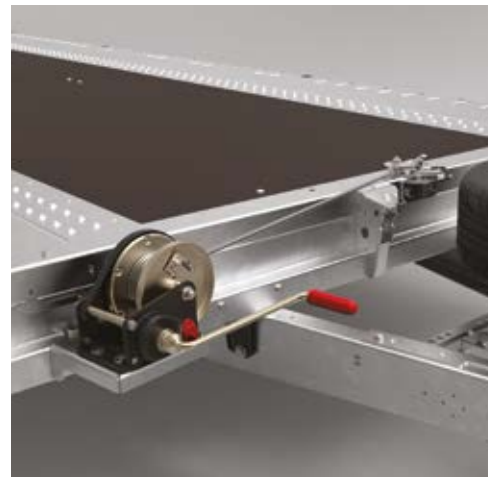
LED lamps: Note

LED lamps are not compatible with all towing vehicles. This may cause unintended consequences. Please check compatibility. A mix of filament and LED lamps is possible.



○ Electric winch, 12V high capacity

Electric winch, mounted outboard as shown is powered by a standalone 12V power pack, available separately. Full remote control operation with free spool and roller guides.



○ Manual winch, with centre pull

A manual winch with auto-brake and a removable handle for free-spool release of the cable. The centrally located and articulated pulley block ensures every loading operation runs smoothly.



○ Wheel options

The Cargo Connect range is also available with new style alloy wheels in standard Silver or diamond cut Anthracite for both 10" and 12" wheel options (10" shown).



CARGO CONNECT

FULLY EQUIPPED

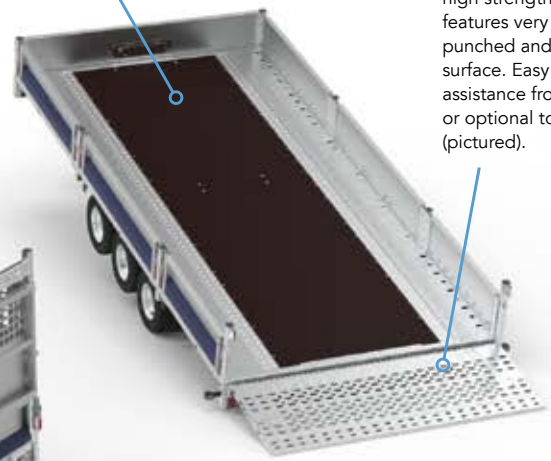
○ **High panelled side extension kit** extends the trailer height enabling the transport of bulkier loads.

○ **Drop sides** provide a strong and convenient 0.3m high side. Flat inside surface for easy cleaning.

● **Reinforced deck** constructed with a chassis super-structure and an 18mm ply deck featuring a high grip, anti-slip surface.

○ **Tail ramp**, full width high strength steel ramp features very durable punched and formed grip surface. Easy handling with assistance from side springs or optional torsion bar (pictured).

Precision engineering ensures long-term durability. High strength materials in the chassis combined with class leading axles manufactured by AL-KO guarantees stable, comfortable and highly dependable performance.



● **Heavy duty** running gear manufactured by AL-KO and featuring sealed wheel bearings ensures minimum maintenance.

○ **Hydraulic tilt-bed** reduces loading angles and can assist in ease of operation.

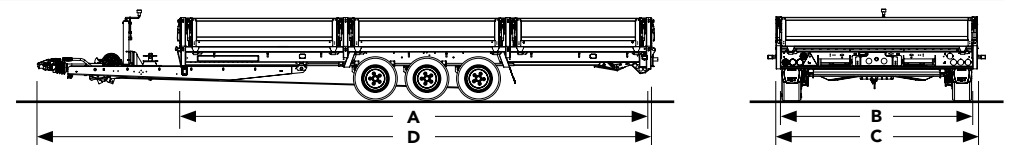
● **Spare wheel** mounted conveniently at the front of the trailer

● **50mm ball coupling head** with high security lock.

TECHNICAL INFORMATION

LOAD BED LENGTH m A	4.00		4.50		5.00					5.50					6.00		
CAPACITY																	
Gross kg	3,500	3,500	3,500	3,500	3,500	3,500	3,500	3,500	3,500	3,500	3,500	3,500	3,500	3,500	3,500	3,500	3,500
Load kg	2,771	2,725	2,689	2,700	2,665	2,687	2,638	2,676	2,610	2,668	2,623	2,636	2,602	2,605	2,575	2,555	2,495
Unladen trailer weight kg	729	775	811	800	835	813	862	824	890	832	877	864	898	895	925	945	1,005
DIMENSIONS																	
Internal bed width m B	2.02	2.02	2.02	2.02	2.17	2.02	2.17	2.02	2.17	2.02	2.17	2.02	2.17	2.02	2.17	2.02	2.17
Overall bed width m C	2.13	2.13	2.13	2.13	2.28	2.13	2.28	2.13	2.28	2.13	2.28	2.13	2.28	2.13	2.28	2.13	2.28
Overall trailer length m D	5.54	6.04	6.04	6.54	6.54	6.54	6.54	6.54	7.04	7.04	7.04	7.04	7.04	7.04	7.04	7.54	7.54
Bed load height m	0.60	0.60	0.55	0.60	0.60	0.55	0.55	0.60	0.60	0.60	0.60	0.55	0.55	0.60	0.60	0.60	0.60
Tow-ball height (loaded) m	0.39	0.39	0.39	0.39	0.39	0.39	0.39	0.39	0.39	0.39	0.39	0.39	0.39	0.39	0.39	0.39	0.39
RUNNING GEAR																	
Axes	2	2	3	2	2	3	3	3	3	2	2	3	3	3	3	3	3
Wheel / Tyre size	12" (195/60)	12" (195/60)	10" (195/55)	12" (195/60)	12" (195/60)	10" (195/55)	10" (195/55)	12" (195/60)	12" (195/60)	12" (195/60)	12" (195/60)	10" (195/55)	10" (195/55)	12" (195/60)	12" (195/60)	12" (195/60)	12" (195/60)
Spare wheel	●	●	●	●	●	●	●	●	●	●	●	●	●	●	●	●	●
Alloy wheels - lightweight (Style B2) + safety locking wheel bolts	○	○	○	○	○	○	○	○	○	○	○	○	○	○	○	○	○
BED OVERLAY																	
Aluminium tread plate deck overlay. Covers wooden sections to provide durable surface	○	○	○	○	○	○	○	○	○	○	○	○	○	○	○	○	○
HYDRAULICS																	
Hydraulic tilt-bed operation	—	○	○	○	○	○	○	○	○	○	○	○	○	○	○	○	○
Tail ramp – tilt-bed	—	○	○	○	○	○	○	○	○	○	○	○	○	○	○	○	○
LOADING																	
Loading ramps	○	○	○	○	○	○	○	○	○	○	○	○	○	○	○	○	○
Loading supports, kick down legs	○	○	○	○	○	○	○	○	○	○	○	○	○	○	○	○	○
Loading ramp, full width, long mesh	○	○	○	○	○	○	○	○	○	○	○	○	○	○	○	○	○
Tail panel torsion bar kit - suits 2.1m and 2.25m width	○	○	○	○	○	○	○	○	○	○	○	○	○	○	○	○	○
Cross Loader ramp kit	○	○	○	○	○	○	○	○	○	○	○	○	○	○	○	○	○
SIDES																	
Headboard, removable	○	○	○	○	○	○	○	○	○	○	○	○	○	○	○	○	○
Connect drop side system – removable headboard, drop sides and tail board	○	○	○	○	○	○	○	○	○	○	○	○	○	○	○	○	○
Connect drop side system – removable headboard and drop sides (supplied when trailer equipped with high mesh loading ramp)	○	○	○	○	○	○	○	○	○	○	○	○	○	○	○	○	○
Connect extension side kit, 0.74m - includes tail section	○	○	○	○	○	○	○	○	○	○	○	○	○	○	○	○	○
Connect extension side kit, 0.74m - without tail section	○	○	○	○	○	○	○	○	○	○	○	○	○	○	○	○	○
Ladder rack - for trailers with side extension	○	○	○	○	○	○	○	○	○	○	○	○	○	○	○	○	○
Ladder rack - for trailers without side extension	○	○	○	○	○	○	○	○	○	○	○	○	○	○	○	○	○
WINCH																	
Man auto winch kit, includes cable and pulley	○	○	○	○	○	○	○	○	○	○	○	○	○	○	○	○	○
Electric winch kit, includes fair-lead + remote, with power	○	○	○	○	○	○	○	○	○	○	○	○	○	○	○	○	○
Electric winch kit, includes fair-lead + remote, no power	○	○	○	○	○	○	○	○	○	○	○	○	○	○	○	○	○
ACCESSORIES, LIGHTING																	
Loading assist, full width wheel chock	○	○	○	○	○	○	○	○	○	○	○	○	○	○	○	○	○
Storage tray, below bed location, deck board lid	○	○	○	○	○	○	○	○	○	○	○	○	○	○	○	○	○
LED lighting, full rear lighting kit, multi-voltage	○	○	○	○	○	○	○	○	○	○	○	○	○	○	○	○	○
7 pin socket to 13 pin plug adapter	○	○	○	○	○	○	○	○	○	○	○	○	○	○	○	○	○
PRODUCTS																	
Product code	475-3442	475-4442	475-4452	475-5442	475-5443	475-5452	475-5453	475-5462	475-5463	475-6442	475-6443	475-6452	475-6453	475-6462	475-6463	475-7462	475-7463

● Standard. ○ Optional at extra cost.



QUALITY

Brian James Trailers are manufacturers of class leading trailers, since 1979. When you buy a Brian James Trailer you can be absolutely certain that it is designed and constructed to the highest possible standards. Our Engineers combine top-quality craftsmanship with the best materials and first-class presentation. Light but strong, our trailers are crafted to enhance safety, efficiency and durability.

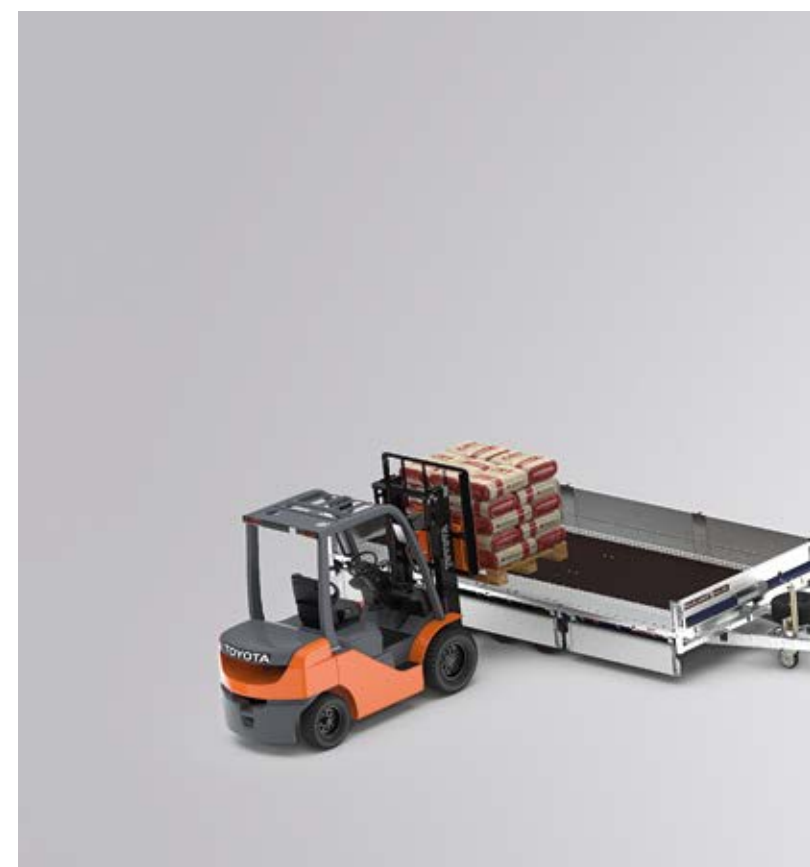
5 Year Chassis Warranty

This Brian James Trailer is provided to you with a non-transferable manufacturers warranty covering the integrity of the chassis for a period of 5 years from the date of first registration.

We warrant that under normal use, outside of accident damage or misuse (meaning driven across unsuitable territory or being overloaded) the chassis will not fatigue or fail to be able to perform its intended duties safely.

Any repair or rectification as a result of a claim under this warranty will be at Brian James Trailers cost and be carried out either at a Brian James Trailers main dealer, or at the factory HQ in Daventry, UK, at the discretion of Brian James Trailers Ltd. A repair may involve removal of the original galvanised surface finish, for which we will not liable to reinstate to its original state.

Brian James Trailers will not be liable for any consequential loss in connection with a claim on this warranty, including recovery fees or transport to or from the place of final repair.

A graphic featuring a large white number '5' on a red square background, followed by the text '5 YEAR CHASSIS WARRANTY' in white on a black background.A dark grey banner with a white border containing the text 'CARGO CONNECT' and 'GO CONFIGURE TO YOUR NEEDS' in white, bold, sans-serif font.



BRIAN JAMES TRAILERS

» Connected to you

NOTES

Specifications are subject to change without notice.
Illustrations and photography may depict optional
equipment.

www.brianjames.co.uk

© BRIAN JAMES TRAILERS LIMITED
Printed in the UK

Edition 2019Q1_CGCON_UK_1

Brian James Trailers Limited.
Sopwith Way, Drayton Fields Industrial Estate
Daventry, Northampton, NN11 8PB

T + 44 (0)1327 308 833

Brian James Trailers are available by contacting our sales team as well as
through an extensive network of official dealers throughout the country.

For more information please call or visit our website.

www.brianjames.co.uk

Dealer information.

